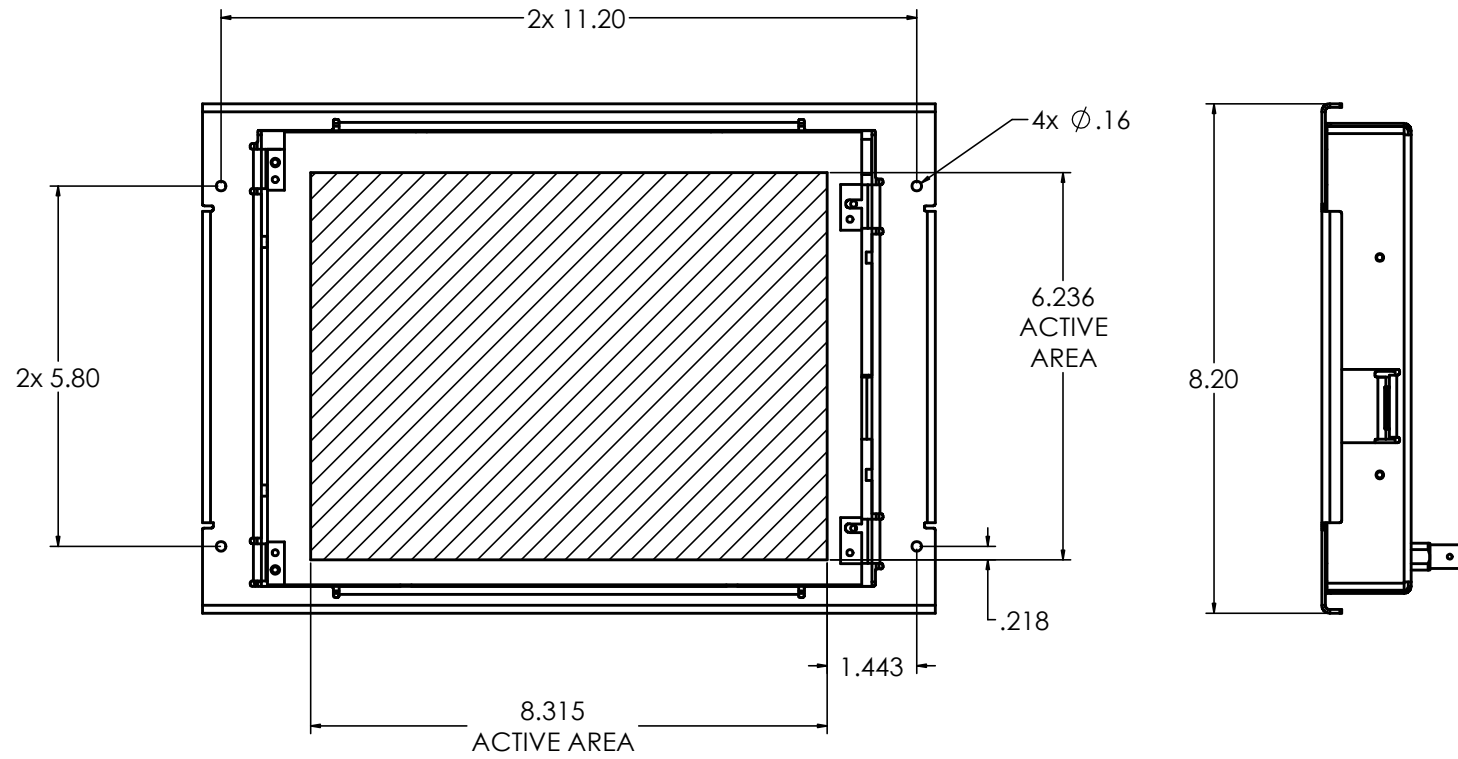
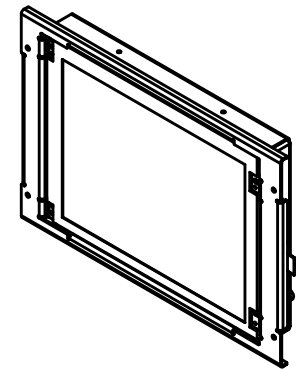
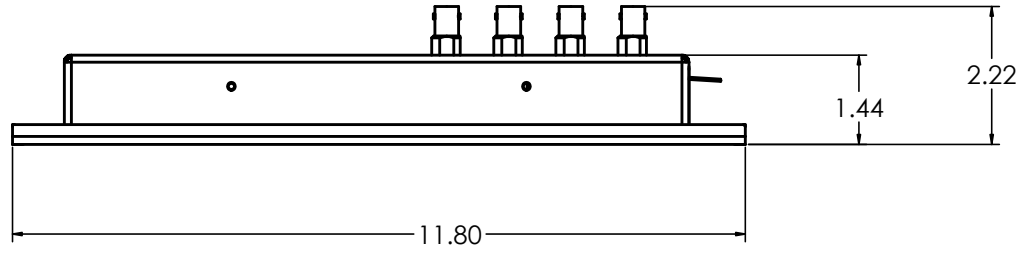


THE MATERIAL IS THE EXCLUSIVE PROPERTY OF CIPHER SYSTEMS. ALL INFORMATION CONTAINED HEREIN IS CONFIDENTIAL. IT IS LOANED ON THE EXPRESS CONDITION THAT IT IS NOT TO BE COPIED OR USED, DIRECTLY OR INDIRECTLY IN ANY WAY WHATSOEVER DETRIMENTAL TO OUR INTERESTS AND SHALL BE SUBJECT TO IMMEDIATE RETURN UPON DEMAND.

REV.	BY	DATE	DESCRIPTION	BY	CHECKED	DATE
00	Y	Y	DRAWING CREATED		XXX	XXX



1. FINISH: SHERWIN WILLIAMS F63B12 BLACK
 NOTES: UNLESS OTHERWISE SPECIFIED

<small>UNLESS OTHERWISE SPECIFIED DIMENSIONS ARE IN INCHES. NOTES TAKE PRECEDENCE OVER GENERAL TOLERANCES.</small>		Cipher Systems <small>1800 NW 16th Place, Suite B-100, Beaverton, OR 97006 Phone: (503) 617-7447</small>	
<small>DO NOT SCALE DRAWING</small>		640 DISPLAY	
MATERIAL:	DRAWN: D.J. MYERS DATE: 2/6/JUN04	DRAWING NO.:	
FINISH:	CHECKED: DATE:	SIZE: D	SCALE: 1:1
		RELEASED FOR PROD:	REV: 01

SOLID WORKS PATH: